

# SmartStack Equipment Stand

*“The affordable, nesting design creates the ultimate cost savings for your hospital”*



*Large, Smooth Rolling Casters with 2 Wheel Locks*



*Heavy Duty Aluminum Mounting Plate*

## ► Ultimate Savings

***ALL-NEW! Maxtec is pleased to introduce The SmartStack nesting equipment stand.***

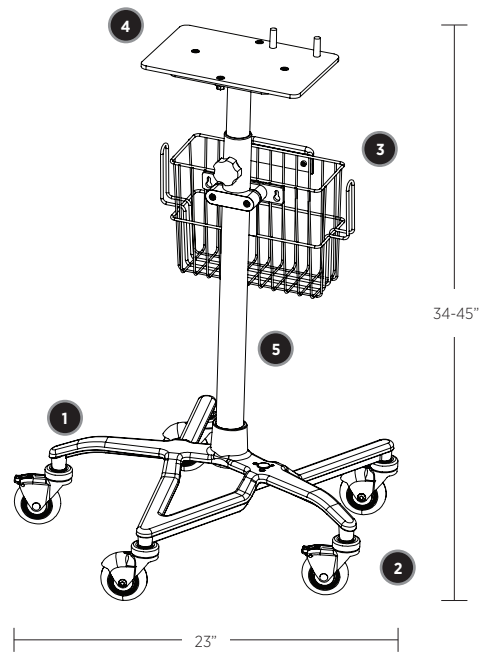
SmartStack Nesting Design: The bases patented design will stack neatly with other bases of its kind, allowing for extra storage space, a more organized facility and easy transportation of multiple stands all at once.

*\*This SmartStack Equipment Stand was designed for use with Respirationics, REMstar, System One, BiPAP & CPAP units.*

## Part Numbers

Stand for Respirationics\* .....R100P73

*\*Maxtec is not affiliated or endorsed by Respirationics*



**1. SmartStack Base**

*Durable Aluminum Base*

**2. Locking Casters**

*High Quality Locking Casters*

**3. Wire Basket**

*Guidance Handle and Cord Hooks*

**4. Heavy Duty Mounting Plate**

*Securely Mount BiPap unit to stand*

**5. Chrome Plated Pole**

*1 3/4" Chrome Plated Pole*

**Specifications**

Collapsed Height: .....	34" (Measured from floor to mounting plate)
Extended Height: .....	45" (Measured from the floor to the mounting plate)
Casters: .....	Neoprene Tread, Chrome Steel, 3" QTY: 5, 2 Locking, 3
Weight Capacity: .....	100 lbs total
Wheel Base Diameter .....	22"
Nesting Base .....	8" center to center
Weight: .....	20 lbs
Shipping Weight: .....	12 lbs (Pole, basket, plate) 12 lbs (Base and castors)
Pole Diameter .....	1.75" (Bottom portion) 1.5" (Upper Portion)
Base Material .....	Powder Coated Aluminum
Pole Material .....	Stainless Steel
Restrictions .....	Not MRI Compatible
Warranty: .....	48 Months